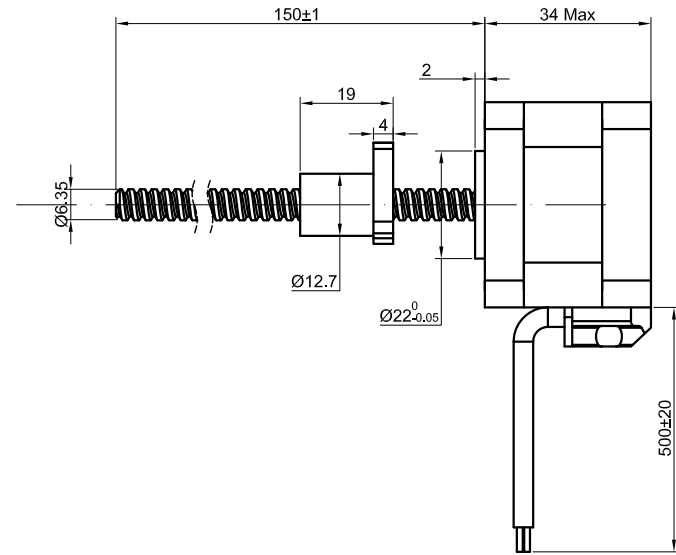
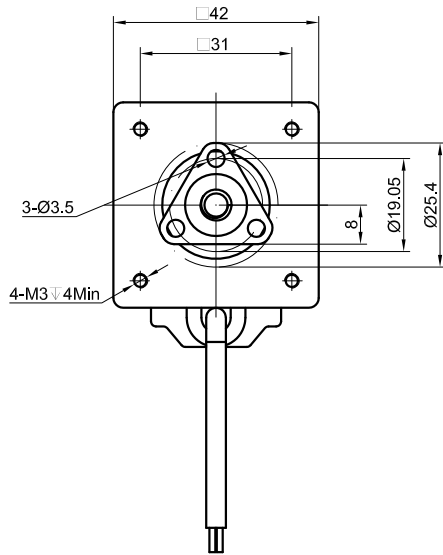


END COVER COLOR : BLACK

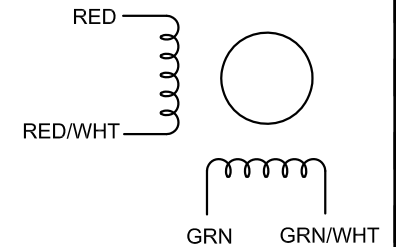


| SPECIFICATION | CONNECTION | BIPOLAR |
|--|------------|-----------|
| AMPS/PHASE | | 1.50 |
| RESISTANCE/PHASE(Ohms)@25°C | | 1.7±10% |
| INDUCTANCE/PHASE(mH)@1KHz | | 2.5±20% |
| HOLDING TORQUE(Nm)[lb-in] | | 0.3[2.66] |
| LEAD(mm) | | 6.35 |
| LINEAR TRAVEL/STEP(mm) | | 0.03175 |
| STEP ANGLE(°) | | 1.80 |
| STEP ACCURACY(NON-ACCUM) | | ±5.00% |
| WEIGHT(Kg)[lb] | | — |
| TEMPERATURE RISE:MAX.80°C (MOTOR STANDSTILL;FOR 2PHASE ENERGIZED) | | |
| AMBIENT TEMPERATURE -10°C~50°C[14°F~122°F] | | |
| INSULATION RESISTANCE 100 Mohm (UNDER NORMAL TEMPERATURE AND HUMIDITY) | | |
| INSULATION CLASS B 130°C[266°F] | | |
| DIELECTRIC STRENGTH 500VAC FOR 1MIN.(BETWEEN THE MOTOR COILS AND THE MOTOR CASE) | | |
| AMBIENT HUMIDITY MAX.85%(NO CONDENSATION) | | |

| TYPE OF CONNECTION (EXTERN) | | MOTOR | |
|-----------------------------|---------|---------|---------|
| PIN NO | BIPOLAR | LEADS | WINDING |
| 1 | A — | RED | |
| 2 | A\ — | RED/WHT | |
| 3 | B — | GRN | |
| 4 | B\ — | GRN/WHT | |

FULL STEP 2 PHASE-Ex. ,
WHEN FACING MOUNTING END (X)

| STEP | A | B | A\ | B\ | | CCW |
|------|---|---|----|----|--|-----|
| 1 | + | + | - | - | | |
| 2 | - | + | + | - | | |
| 3 | - | - | + | + | | |
| 4 | + | - | - | + | | |



| | | | |
|-------|-----------|--|-----------|
| | APVD | | 8.25.2022 |
| | CHKD | | |
| 3:2 | DRN | | |
| SCALE | SIGNATURE | | DATE |

STEPPER MOTOR

17E13S1504RF5-150RS